

## 24Vdc 15W 0.7A Power Supply



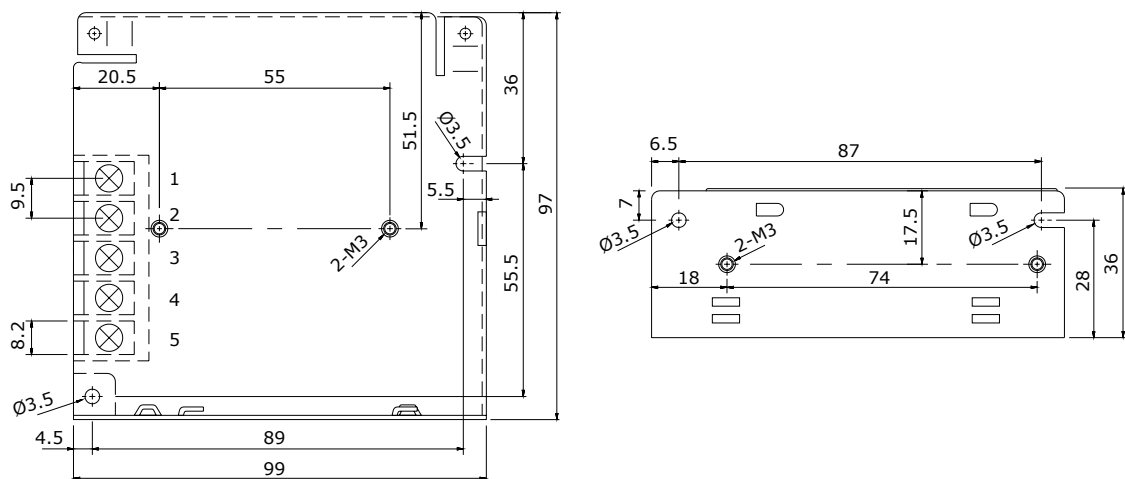
**Details** • Electrical connection of [ICOS Sensors](#) in long distances.

**Typical applications** • Automations with [ICOS Flow Switches](#) and [Level Switches](#).

### Technical specifications

Voltage	<b>24Vdc (direct current)</b>
Switching power	<b>15W</b>
Switching current	<b>0.7A</b>
Weight	<b>280g</b>

### Dimensions (mm)



#### Useful Links:

» [Installation in Long Distance with 24Vdc](#)